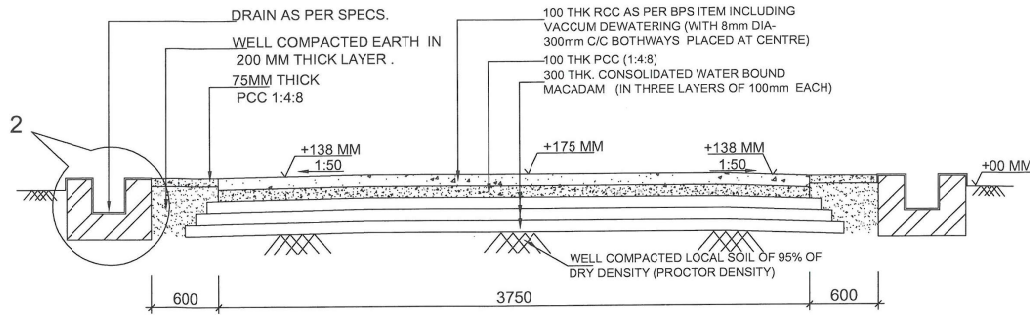


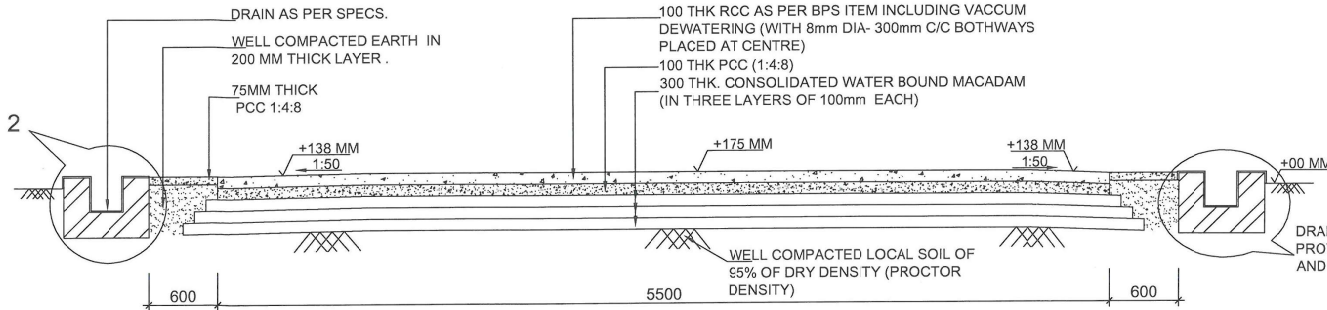
DETAIL OF CONCRETE ROAD (RIGID PAVEMENT)



TYP. CROSS SECTION OF 3.75 M WIDE ROAD

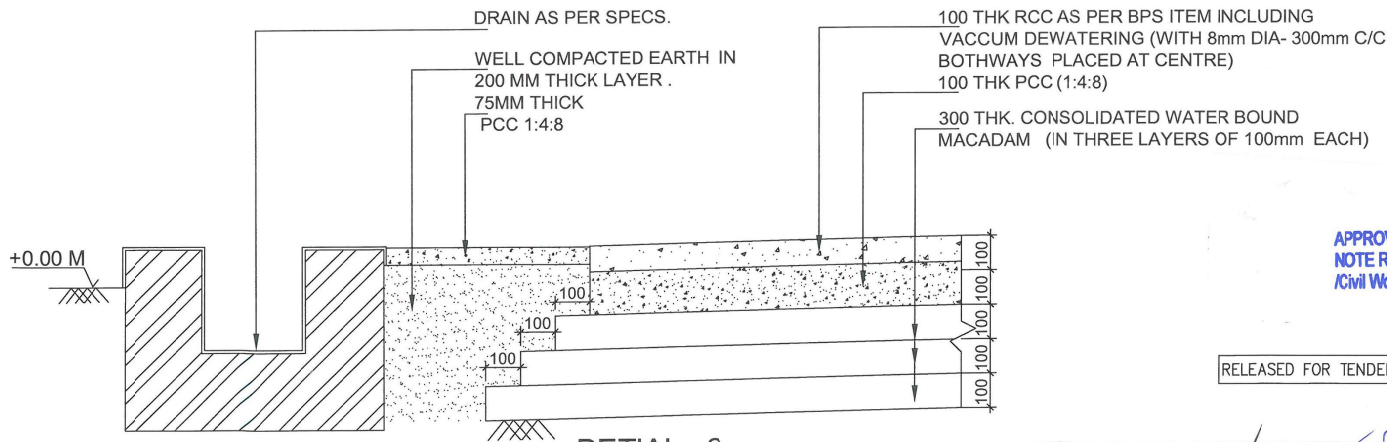
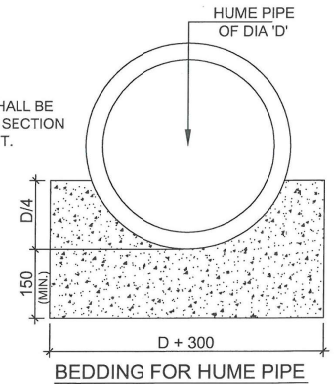
NOTES:

1. ALL DIMENSION ARE IN MM UNLESS NOTED OTHERWISE.
2. CAMBER OF 1:50 SHALL BE PROVIDED
3. EXPANSION JOINT (12 MM THICK) SHALL BE PROVIDED AT EVERY 8.0 M. EXPANSION JOINT SHALL ALSO BE PROVIDED AT CENTRE .
4. POLYTHENE SHEET OF 125 MICRONS SHALL BE PLACED BETWEEN THE PCC AND RCC SLAB. (TOP SLAB)
5. 100MM DIA. RCC HUME PIPE SHALL BE PLACED ACROSS THE ROAD AT EVERY 100M INTERVAL. ALONG THE ROAD.
6. THE KERBS ON BOTH SIDE OF THE ROAD SHALL BE PAINTED YELLOW AND BLACK ALTERNATIVELY
7. FINISHED TOP OF ROAD CREST SHALL BE 175 MM (MIN.) ABOVE F.C.L. HOWEVER, IN CASE APPROACH ROAD IS BEING CONSTRUCTED IN UNLEVELLED AREA THEN CREST LEVEL OF ROAD SHALL BE MINIMUM 300 MM ABOVE H.=L.
8. IF EXPANSIVE SOIL IS ENCCUNTERED AT FOUNDING LVL. IT SHALL BE REMOVED TO A MIN. DEPTH OF 300 MM AND SHALL BE REPLACED WELL COMPACTED (IN 02 EQ LAYERS) C.N.S. MATERIAL
9. SUFFICIENT SPACE BETWEEN KERB STONES @ 5M C/C SHALL BE PROVIDED TO DRAIN OUT WATER



TYP. CROSS SECTION OF 5.5 M WIDE ROAD

DRAIN ARE INDICATIVE AND SHALL BE PROVIDED AS PER STD DRAIN SECTION AND APPROVED DRAIN LAYOUT.



DETIAL - 2

APPROVED BY ED (ENGG TL-SS-CIVIL) VIDE NOTE REFERENCE NO. C/ENGG/STD.DRG. /Civil Works/03/2016 DTD. 22.12.2016

RELEASED FOR TENDER/CONSTRUCTION.

POWER GRID CORPORATION OF INDIA LIMITED
 (A Government of India Enterprise)



TITLE:
 STANDARD RCC ROAD

SUB TITLE:
 DETAIL OF CONCRETE ROAD (RIGID PAVEMENT) WITH PCC SHOULDER

DRAWING NO:
 C/ENGG/STD/ROAD/2016/02 OF 02

REV.	DESCRIPTION	PREP.	REVD.	REVD.	REVD.	REVD.	REVD.	APPD.	DATE
0.	REVISED AS MARKED								
		JE(ENGG-CIVIL)	ACDE(ENGG-CIVIL)	CDE (ENGG-CIVIL)	ASTT.GM(ENGG-CIVIL)	ASM (ENGG-CIVIL)	GN (ENGG-CIVIL)		

SCALE
 NTS

REV
 0